

Intrinsically Safe Barrier Blocks

GENERAL DESCRIPTION

Intrinsically Safe Barrier Blocks permit the use of UL Listed CLEVELAND-KIDDER semi-conductor strain gage transducers in hazardous Class 1, Group A, B, C, or D atmospheres when combined with CMC Tensi-Master Indicators and Controllers. The transducers may be installed in the hazardous area, without purging, up to 150 feet away from the Barrier Blocks, and the Indicator or Controller when located in a non-hazardous area and connected in accordance with CMC Control Drawing A800-42273 or A800-42281.

The CMC Tensi-Master Indicator can be used for visual tension indication or to provide an isolated tension signal output (0-10VDC or 4-20mA). The CMC Controllers can be used with Pneumatic Clutches or Brakes or Adjustable Speed AC, DC or Servo Drives to control tension in the web.

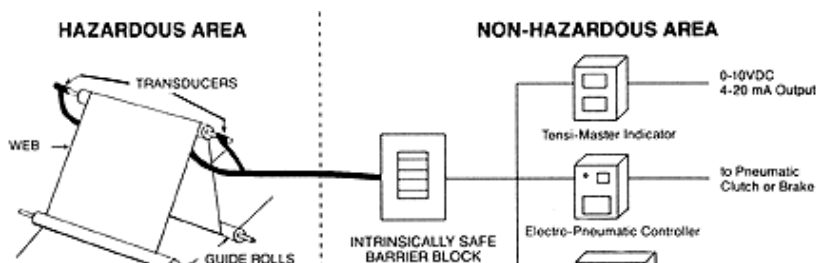
STANDARD FEATURES

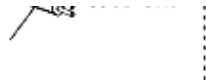
- Available for panel mounting or enclosed.
- Compatible with all UL Listed CLEVELAND-KIDDER transducers, indicators and controllers.
- Transducers UL Listed as intrinsically safe for Class 1, Division 1, Group A, B, C, or D.

PRODUCT BENEFITS

- Permits the control of tension in processes located in hazardous locations without the need to purge the transducers.
- UL Listed.
- All kits come complete with barrier blocks and facilities for mounting and earthing the barriers, connecting the IS earth cable and terminating the cable shields.

INTRINSICALLY SAFE BARRIER BLOCK SYSTEM DIAGRAM





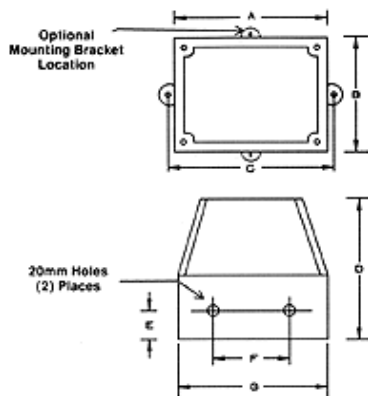
ASSEMBLY



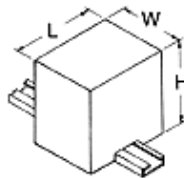
SELECTION CHART

CMC Indicator/Controller		Number of Transducers	Barrier Block Assembly Part Number	
Model	Description		Panel Mounting	Polycarbonate Enclosure
TMI	Tensi-Master Indicator	1 or 2	MO-09960	MO-09961
UCP	Electro-Pneumatic Controller			
DUCP	Digital Pneumatic Controller	1	MO-09958	MO-09959
DTCD	Digital Drive Controller	2	MO-09983	MO-09984

ENCLOSURE DIMENSIONS



Mounting Dimension	Polycarbonate Enclosure			
	MO-09961		MO-09959 & MO-09984	
	Inches	mm	Inches	mm
A	6.89	175	4.92	125
B	6.89	175	2.95	75
C	7.80	198	5.83	148
D	5.91	150	4.92	125
E	0.98	25	0.98	25
F	3.94	100	2.36	60
G	8.75	175	4.92	175



Envelope Dimension	Rail Mount		Panel Mount	
	MO-09960		MO-09958 & MO-09983	
	Inches	mm	Inches	mm
H	4.25	108	3.0	76
W	5.0	127	4.25	108
L	5.5	140	3.75	95

Industrial Products Division
 Cleveland Motion Controls
 7550 Hub Parkway • Cleveland, OH 44125-5794
 Phone 216-524-8800 • Fax 216-642-2121



Close